







Technical specifications

- 4 versions
- Monobloc with inverter technology
- Natural refrigerant R290
- Heating – Cooling – Domestic hot water
- New build and renovation
- Wireless updates
- Silent mode
- Compatible with Renson One

	Arean® 8	Arean® 15	Arean® 15S	Arean® 22S
				
Type				
Order number	14868	14869	11523	11524
Type number	REN-HP-A-09-V1	REN-HP-A-15-V1	REN-HP-A-15S-V1	REN-HP-A-22S-V1
Colour	Black	Black	Black	Black
Outdoor unit	Monobloc	Monobloc	Monobloc	Monobloc
Input/output	Air/water	Air/water	Air/water	Air/water
Capacity	8 kW	15 kW	15 kW	22 kW
Ecodesign / Energy label leaving water temp. 35°C (aver. climate) EU 811/2013 *				
SCOP	5,0	4,9	4,92	4,91
Seasonal efficiency	197,1%	193%	193,6%	193,4%
Energy label	A+++	A+++	A+++	A+++
P-design	4,918	9,46	9,286	12,553
Sound (EN12102)	57 dB(A)	56 dB(A)	56 dB(A)	62 dB(A)
Ecodesign / Energy label leaving water temp. 55°C (aver. climate) EU 811/2013 *				
SCOP	3,71	3,78	3,78	3,7
Seasonal efficiency	145,5%	147,4%	148,1%	144,9%
Energy label	A++	A++	A++	A++
P-design	4,714	9,024	9,235	12,343
Sound (EN12102)	60 dB(A)	57 dB(A)	58 dB(A)	61 dB(A)
Ecodesign combination tank (REN-T-250-C-FS-V1) EU 811/2013				
Tapping pattern	M	L	L	L
Efficiency	142,5%	125%	123,4%	118,5%
Energy label	A++	A+	A+	A+
Heating capacity range*				
A7/W35	3,21...7,8 kW	5,4...14,0 kW	5,4...14,95 kW	8...22,0 kW
A7/W55	2,71...5,9 kW	4,56...12,6 kW	4,56...12,6 kW	6,71...20,6 kW




* Preliminary data

	Arean® 8	Arean® 15	Arean® 15S	Arean® 22S
				
Min. heating capacity outside 7°C, leaving water temp. 35°C *				
Heating capacity	3,21 kW	5,4 kW	5,4 kW	8,0 kW
Power input	0,64 kW	1,06 kW	1,06 kW	1,6 kW
COP	5,04	5,09	5,09	4,99
Max. heating capacity outside 7°C, leaving water temp. 35°C *				
Heating capacity	7,8 kW	14,0 kW	14,95 kW	22,0 kW
Power input	1,91 kW	3,85 kW	3,85 kW	5,32 kW
COP	4,08	3,64	3,88	4,13
Max. heating capacity outside -7°C, leaving water temp. 35°C *				
Heating capacity	5,8 kW	10,8 kW	10,7 kW	16,13 kW
Power input	2,31 kW	4,06 kW	4,06 kW	5,25 kW
COP	2,51	2,66	2,64	3,07
Min. heating capacity outside 7°C, leaving water temp. 55°C *				
Heating capacity	2,71 kW	4,56 kW	4,56 kW	6,71 kW
Power input	0,82 kW	1,36 kW	1,36 kW	2,05 kW
COP	3,31	3,34	3,34	3,28
Max. heating capacity outside 7°C, leaving water temp. 55°C *				
Heating capacity	5,9 kW	12,6 kW	12,6 kW	20,6 kW
Power input	2,18 kW	5,2 kW	5,2 kW	6,98 kW
COP	2,71	2,42	2,42	2,95
Max. heating capacity outside -7°C, leaving water temp. 55°C *				
Heating capacity	4,9 kW	9,4 kW	9,4 kW	14,47 kW
Power input	2,85 kW	4,85 kW	4,85 kW	6,49 kW
COP	1,72	1,94	1,94	2,23
Cooling capacity range (option) *				
A35/W7	1,2...5,72 kW	3,6...10,5 kW	3,6...10,5 kW	4,2...15 kW
Electrical characteristics				
Level of protection	IPX4	IPX4	IPX4	IPX4
Phase	1 ph	1 ph	3 ph	3 ph
Supply voltage	220~240 V	220~240 V	380~415 V	380~415 V
Frequency	50 Hz	50 Hz	50 Hz	50 Hz
Rated power **	3 kW	5,3 kW	5,3 kW	8,3 kW
Rated current ***	13,5 A	24,5 A	10,5 A	15,0 A

* Preliminary data

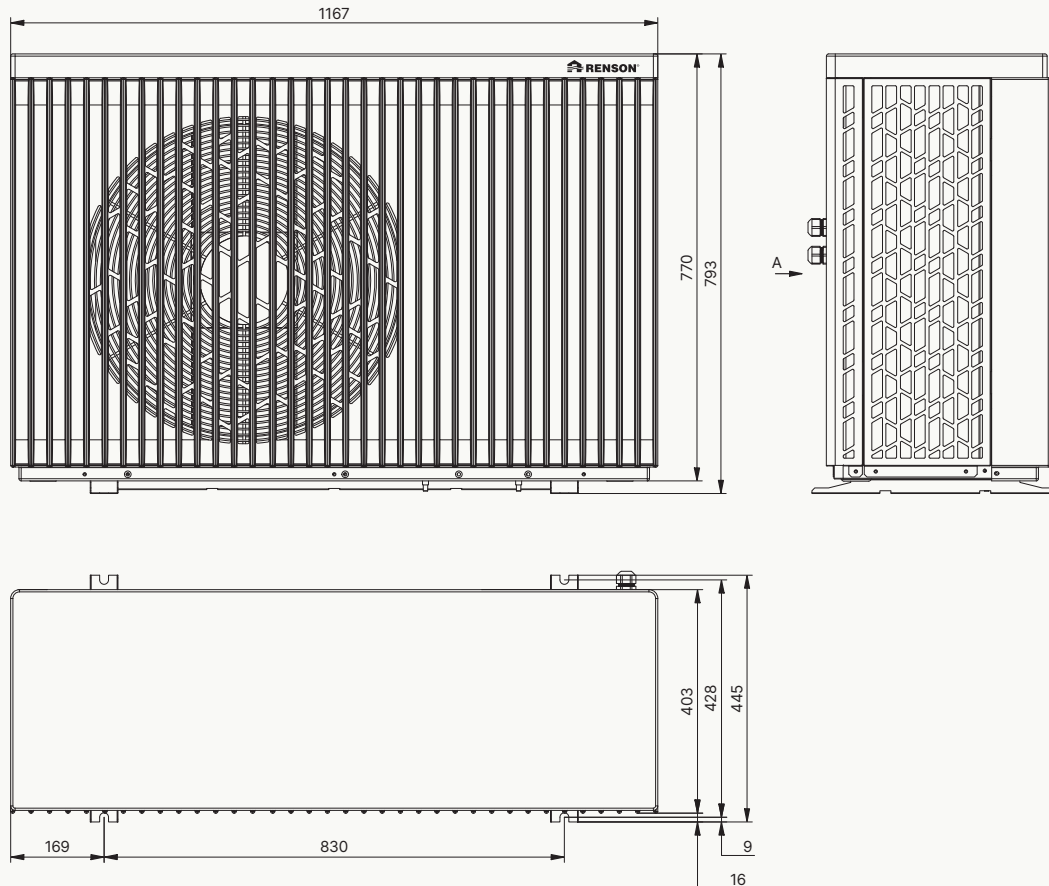
** For selection of power cable follow national regulations

*** For selection of current circuit breaker a safety factor of 1,2 is recommended

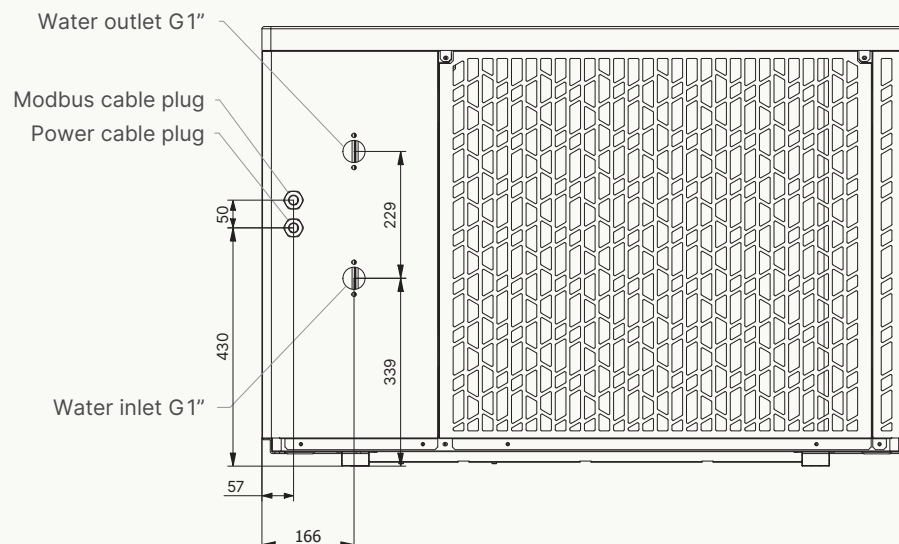
	Arean® 8	Arean® 15	Arean® 15S	Arean® 22S
				
Refrigeration characteristics				
Max. pressure	3,0 MPa	3,0 MPa	3,0 MPa	3,0 MPa
Compressor type	Rotary	Rotary	Rotary	Rotary
Refrigerant	R290	R290	R290	R290
GWP	3	3	3	3
Refrigerant charge	0,5 kg	0,85 kg	0,85 kg	1,30 kg
CO ₂ equivalent	0,0015 ton	0,0026 ton	0,0026 ton	0,0039 ton
Expansion valve	Electronic	Electronic	Electronic	Electronic
Operation range				
Min.-max. outdoor temp. for heating	-25°C...43°C	-25°C...43°C	-25°C...43°C	-25°C...43°C
Min.-max. outdoor temp. for cooling	10°C...43°C	10°C...43°C	10°C...43°C	10°C...43°C
Min.-max. outdoor temp. for hot water	-25°C...43°C	-25°C...43°C	-25°C...43°C	-25°C...43°C
Min.-max. leaving temp. heating	15°C...75°C	15°C...75°C	15°C...75°C	15°C...75°C
Min.-max. leaving temp. cooling	5°C...28°C	5°C...28°C	5°C...28°C	5°C...28°C
General characteristics				
Size unit HxWxD	793×1167×403 mm	929×1287×463 mm	929×1287×463 mm	1329×1247×500 mm
Size packaging HxWxD	940×1300×485 mm	1080×1420×540 mm	1080×1420×540 mm	1480×1380×570 mm
Weight unit	80 kg	160 kg	160 kg	202 kg
Weight unit + packaging	102,5 kg	182,5 kg	182,5 kg	224,5 kg
Weight packaging	22,5 kg	22,5 kg	22,5 kg	22,5 kg
Water connections inlet/outlet	G1"	G1"	G1"	G1"
Min. water volume system	90 L	130 L	130 L	220 L
Min.-max. working pressure	0,5-4 bar	0,5-4 bar	0,5-4 bar	0,5-4 bar
Pump characteristics				
Nominal water flow	1 m ³ /h	1,7 m ³ /h	1,7 m ³ /h	2,9 m ³ /h
ESP (external static pressure) nom. water flow	55 kPa	35 kPa	35 kPa	60 kPa
Max. power pump	60 W	60 W	60 W	180 W
EEl (EU 641/2009)	≤ 0,20	≤ 0,20	≤ 0,20	≤ 0,23
Fan characteristics				
Type	DC motor	DC motor	DC motor	DC motor
Amount	1	1	1	2
Maximal power per fan	105 W	120 W	120 W	80 W

Technical drawings

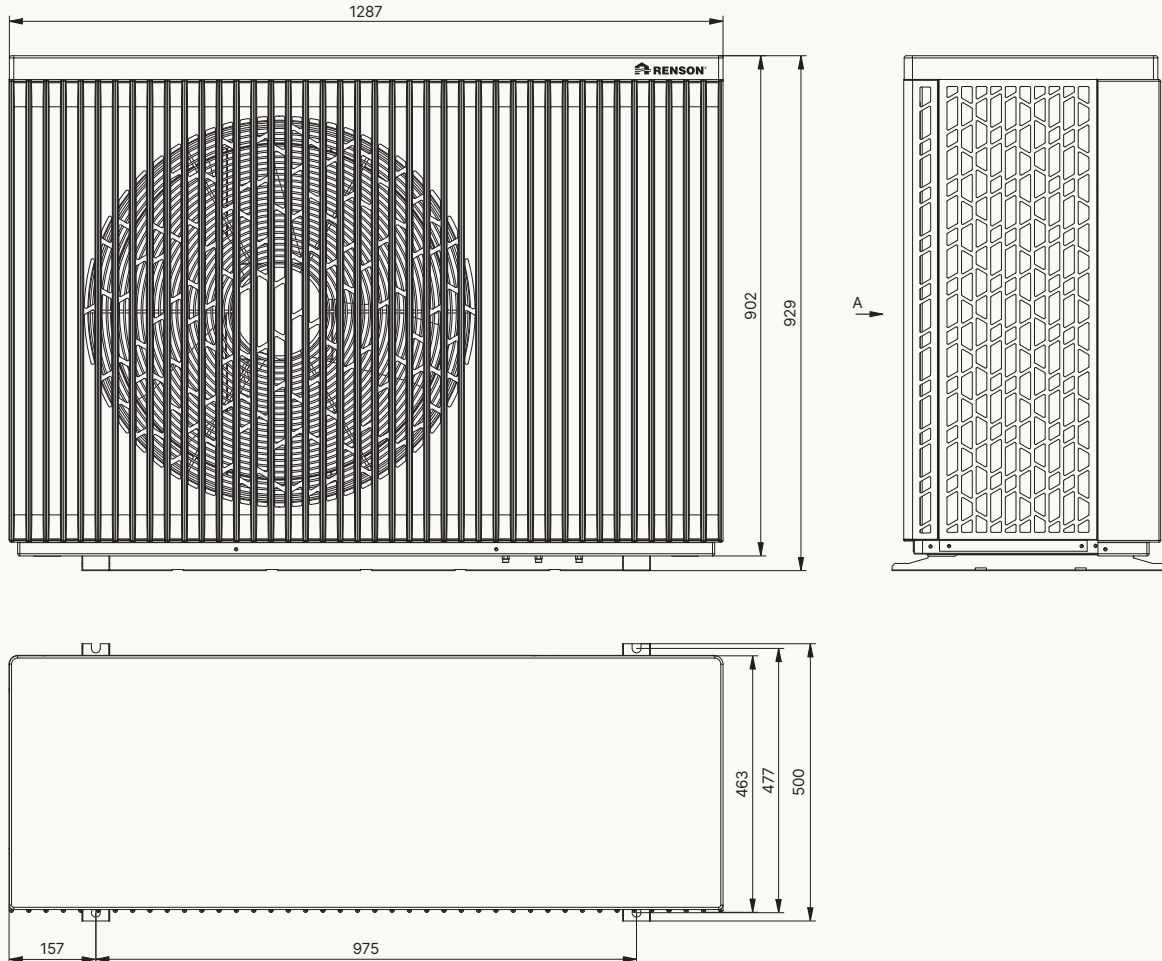
Dimensions REN-HP-A-09-V1



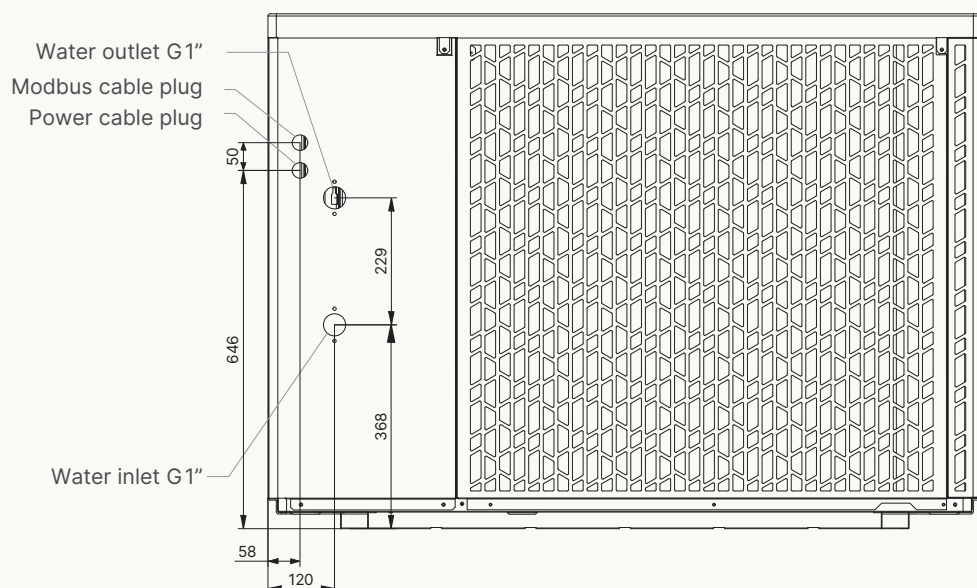
Connections REN-HP-A-09-V1



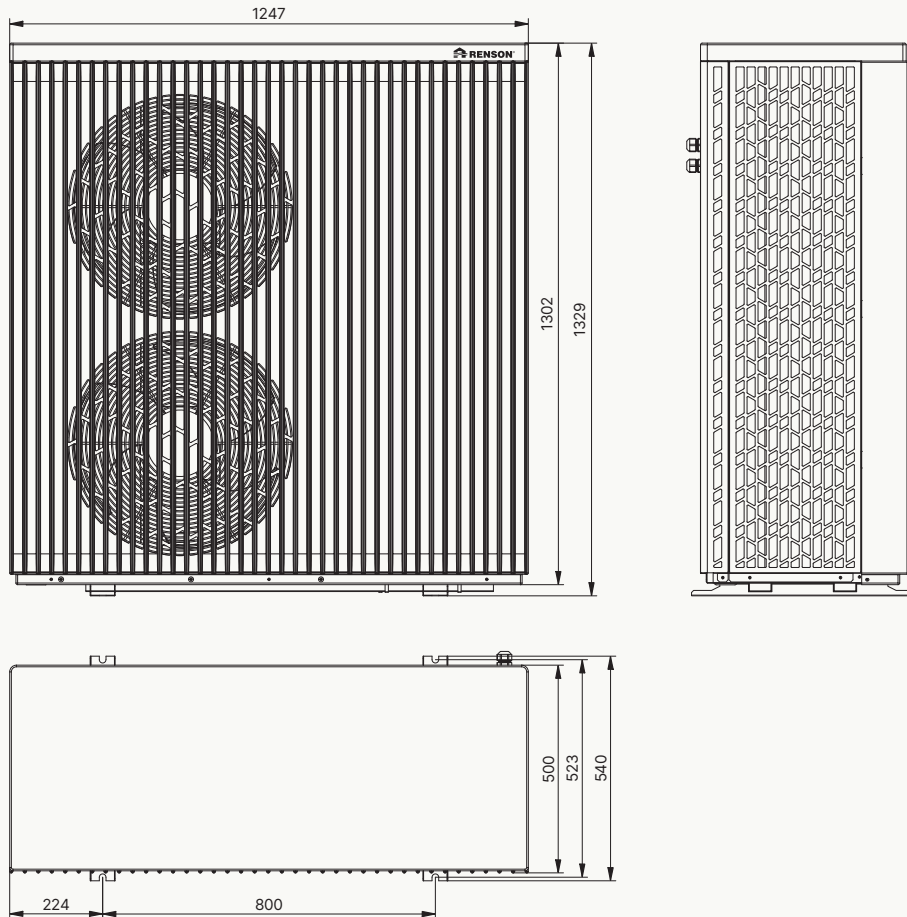
Dimensions REN-HP-A-15(S)-V1



Connections REN-HP-A-15(S)-V1



Dimensions REN-HP-A-22S-V1



Connections REN-HP-A-22S-V1

